



SERVING THE FOOD INDUSTRY SINCE 1951

Heavy-Duty Stainless Steel Meat Mixer with 397lb / 180kg Capacity - 220V, 1100W

ITEM: 46149

MODEL: MM-IT-0180



Effortlessly season large volumes of meat.

Constructed out of stainless steel, this meat mixer will thoroughly and consistently mix meat in much less time making it perfect for butcher shops, supermarkets, and meat processing industries. This meat mixer features a tilting tank that's equipped with an automatic locking system and safety lock. It uses two stainless steel mixing arms that can be easily removed for cleaning without any tools.

FEATURES:

- Modern design and strong AISI 304 stainless steel construction
- Tilting tank with automatic locking system and safety lock
- Stainless steel swivel wheels (2 with locks and 2 without)
- Two mixing arms system
- Removable AISI 304 stainless steel mixing arms (no tools required)
- Total protection of gear box/control panel
- Oil-bath gear box, ground and tempered helical gears
- Double seal on tank and gear box
- ON/OFF/REV IP 67 s/steel controls with : (-manual forward and reverse, timer 1 min, auto reverse 2 min)
- Stainless steel cover with safety microswitch
- Minimum loading required: 40% max capacity
- Perfect for hard mix and salad



Tank Overturn



Tank Overturn



Mixing Arm

Telephone: 1-800-465-0234

Fax: (905) 607-0234

Email: sales@omcan.com

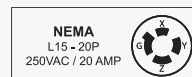
Website: www.omcan.com



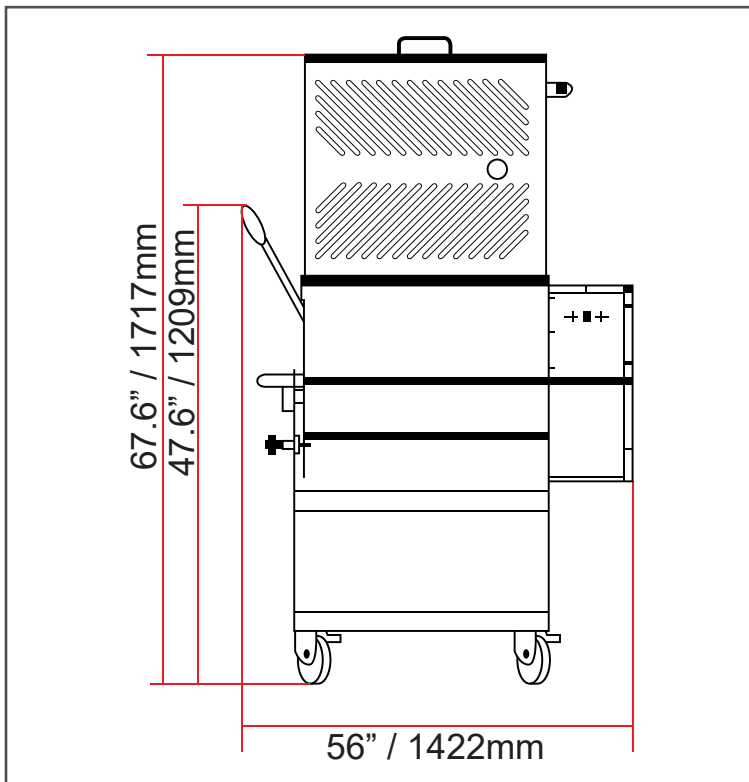
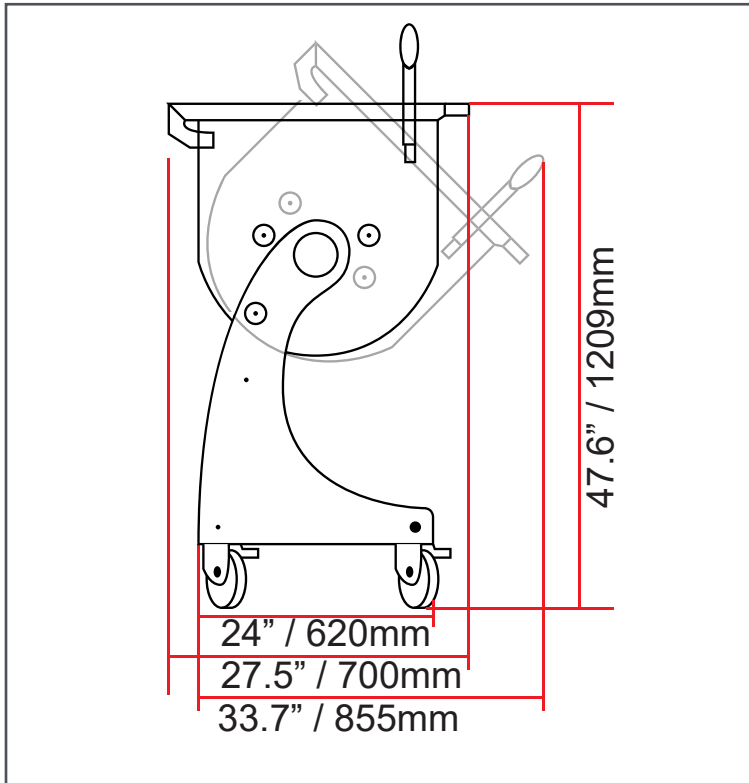
Authorized Dealer



WARRANTY
PARTS AND LABOUR



TECHNICAL DRAWING



TECHNICAL SPECIFICATION

Item	46149
Model	MM-IT-0180
Capacity	8.8 cu.ft. / 250L 397 lb. / 180 kg.
Power	1100 W / 0.75 HP (2x)
Amps	0.5 A
Electrical	220V / 60Hz / 3Ph
Tank Dimensions	39.2" x 21.7" / 995 x 550 mm
Net Weight	335 lb. / 152 kg.
Net Dimensions (DWH)	56" x 27.6" x 47.6" / 1422 x 700 x 1209 mm
Gross Weight	440.9 lb. / 200 kg.
Gross Dimensions (DWH)	57.1" x 29.9" x 51.2" / 1450 x 760 x 1300 mm
Plug Type	NEMA L15-20P